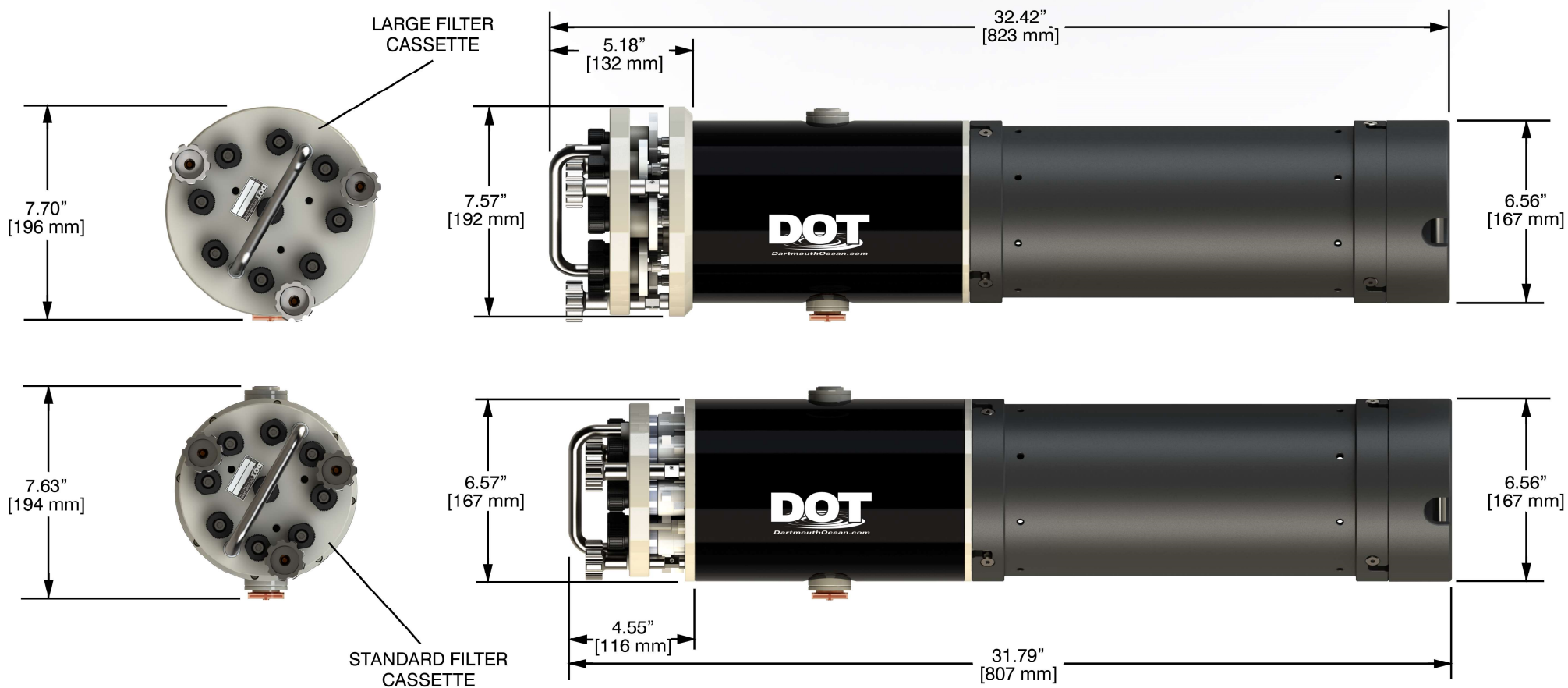


DIMENSIONAL COMPARISON: STANDARD eDNA SAMPLER vs LARGE FILTER CONFIGURATION



- NOTES:**
1. UNITS ARE SHOWN WITH INTAKE FILTER INSTALLED
 2. REPRESENTS WIDEST POINT